

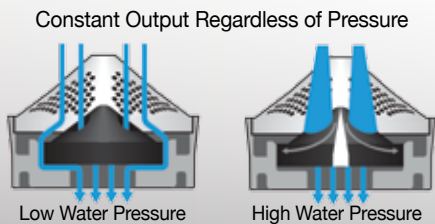
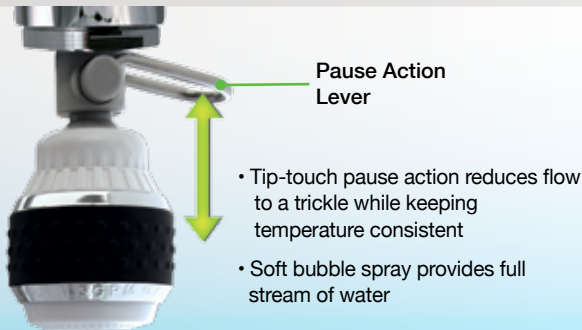
Lead Free Kitchen Aerator

N3115VP-FC

FEATURES AND BENEFITS



- Control from soft bubble spray to forceful needle spray with push/pull action
- Aerated, splash-free stream adds force to cleaning



Lead Free Kitchen Aerator

Water Savings Without Sacrificing Performance

- 1.5 GPM saves 32% over standard faucets*
- Dual-thread brass connection
- 360° swivel action, virtually lead-free aerator
- Housing constructed of durable ABS plastic with high-polish chrome finish, does not contain any unplated brass parts
- Rubberized grip for easy adjustment
- Conical shape compensator helps to filter debris and mineral build-up
- Installs easily without tools
- Niagara's patented pressure compensating technology guarantees a consistent flow rate across wide range of pressure
- EPA WaterSense labeled
- Limited lifetime warranty**

POTENTIAL SAVINGS*

	Water (Gallons)	Electric (kWh)	Gas (therms)	Dollars
Water Savings	1,916			\$15
Energy Savings with Electric Water Heater		281		\$37
Energy Savings with Gas Water Heater			10	\$9

*Factors in calculating savings potential:

- 3-person household each using a faucet 2.5 minutes per day, 365 days per year
- Comparing water use with this 1.5 GPM aerator vs. a standard 2.2 GPM unit
- Water and sewer cost of \$8 per 1,000 gallons
- 8.34 BTUs to raise the temperature of 1 gallon 1°
- 500.4 BTUs to raise the temperature of 1 gallon 60° (i.e. 50° to 110° F)
- 1 million BTUs = 293 kWh
- Average cost of electricity \$0.133 per kWh (Bureau of Labor Statistics Sept 2012)
- Average cost of gas \$0.953 per therm (Bureau of Labor Statistics Sept 2012)

Corporate HQ

4200 Diplomacy Road
 Fort Worth, TX 76155 USA
 Toll Free: 800.831.8383
 Phone: 817.391.0800 Fax: 817.391.0801
 Email: info@nccgreen.com

© 2013 Niagara Conservation MSS3115VP-FC-01

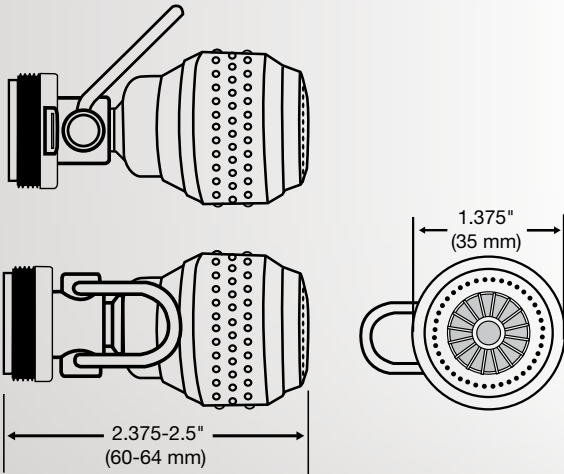


For more information please visit: www.NiagaraConservation.com

Lead Free Kitchen Aerator

N3115VP-FC

SPECIFICATIONS



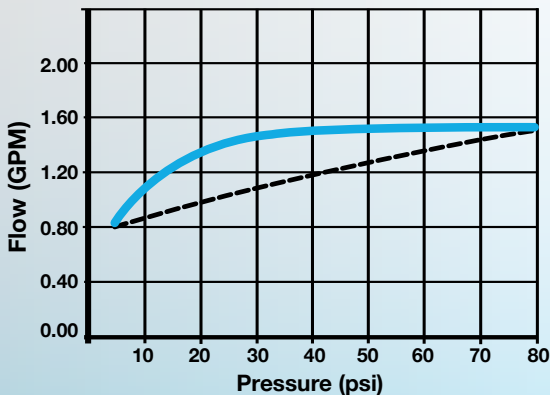
*Dimensions are subject to change

Overall Dimensions	Diameter: 1.375" Length: 2.375-2.5"
Materials	Body: Chrome-plated durable ABS plastic Threaded connection: Chrome-plated Brass
Threads	Dual-thread system accommodating both male and female applications, with 55/64-27 internal threads and 15/16-27 external threads
Certifications	Meets or exceeds: ASME A112.18.1 / CSA B125.1; ANSI/NSF 61 Chrome plated parts meet ASTM B368 for corrosion testing WaterSense labeled - Max. Flow Rate: 1.5 GPM



Consistent Flow Rate Across Wide Range of Pressure

1.5 GPM Flow Rate



1.5 GPM Pressure Compensated Spray **Non-Pressure Compensated Spray**

**WARRANTY FOR AERATORS PURCHASED AT RETAIL:

Limited Lifetime Warranty for aerators purchased at retail for as long as the original purchaser owns the product. Niagara will replace any part that, in our opinion has proved defective, provided it has not been abused, misused, altered or damaged after its purchase.

For complete product warranty details, call Niagara Conservation at 1-800-831-0800.

WARRANTY FOR AERATORS OBTAINED THROUGH WHOLESALE, MUNICIPALITIES, UTILITIES OR OTHER COMMERCIAL CHANNELS:

10-year Limited Warranty to the purchaser from the date of purchase. Niagara will replace any part that, in our opinion has proved defective, provided it has not been abused, misused, altered or damaged after its purchase.

For complete product warranty details, call Niagara Conservation at 1-800-831-8383.

Corporate HQ

4200 Diplomacy Road
Fort Worth, TX 76155 USA
Toll Free: 800.831.8383
Phone: 817.391.0800 Fax: 817.391.0801
Email: info@nccgreen.com

© 2013 Niagara Conservation MSS3115VP-FC-01



For more information please visit: www.NiagaraConservation.com

Lead Free Kitchen Aerator

N3115VP-FC

PACKAGING

Bulk Packaging:
Plastic Bag



BULK PACKAGING

Item No	N3115VP-FC
Type of Packaging	Kraft Corrugated
Pack Quantities	200 Per Carton
Dimensions of Master	Width 14.5" Height 11.5" Depth 7.5"
Weight of Master	21.5 lbs

Corporate HQ

4200 Diplomacy Road
Fort Worth, TX 76155 USA
Toll Free: 800.831.8383
Phone: 817.391.0800 Fax: 817.391.0801
Email: info@nccgreen.com

© 2013 Niagara Conservation MSS3115VP-FC-01



For more information please visit: www.NiagaraConservation.com