

Lead-Free Kitchen/Bath Aerators

N3601, N3602

FEATURES AND BENEFITS



Connects with Most Faucets

Two Spray Patterns Available



Bubble

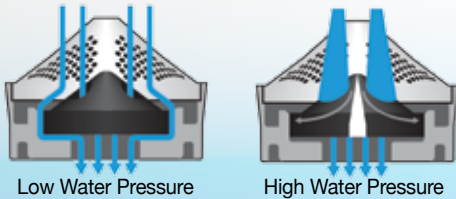


Needle

Special Install Key Included



Constant Output Regardless of Pressure



Finishes & Flow Rates

	1.0 GPM	1.5 GPM
Bubble	N3601B	N3602B
Needle	N3601N	N3602N

Lead-Free Aerators

Water Savings Without Sacrificing Performance

- Available in a 1.0 or 1.5 GPM Water-Saving Flow Rate, Needle Spray or Bubble Spray
- 1.0 GPM saves 55% over standard faucets*
- Aerator body is constructed entirely of ABS poly, completely lead-free for safe drinking water
- Niagara's patented pressure compensating technology guarantees a consistent flow rate across wide range of pressure
- Modern design fits most faucets
- Stylish flared body
- No visible threads
- Limited Lifetime Warranty**

POTENTIAL SAVINGS*

	Water (Gallons)	Electric (kWh)	Gas (therms)	Dollars
Water Savings	3,285			\$26
Energy Savings with Electric Water Heater		482		\$64
Energy Savings with Gas Water Heater			16	\$16

*Factors in calculating savings potential:

- 3-person households each using a bathroom faucet 2.5 minutes per day, 365 days per year
- Comparing water use with this 1.0 GPM aerator vs. a standard 2.2 GPM unit
- Water and sewer cost of \$8 per 1,000 gallons
- 8.34 BTUs to raise the temperature of 1 gallon 1°
- 500.4 BTUs to raise the temperature of 1 gallon 60° (i.e. 50° to 110° F)
- 1 million BTUs = 293 kWh
- Average cost of electricity \$0.133 per kWh (Bureau of Labor Statistics Sept 2012)
- Average cost of gas \$0.953 per therm (Bureau of Labor Statistics Sept 2012)

Corporate HQ

4200 Diplomacy Road
 Fort Worth, TX 76155 USA
 Toll Free: 800.831.8383
 Phone: 817.391.0800 Fax: 817.391.0801
 Email: info@nccgreen.com

© 2013 Niagara Conservation MSS3601-3602-04

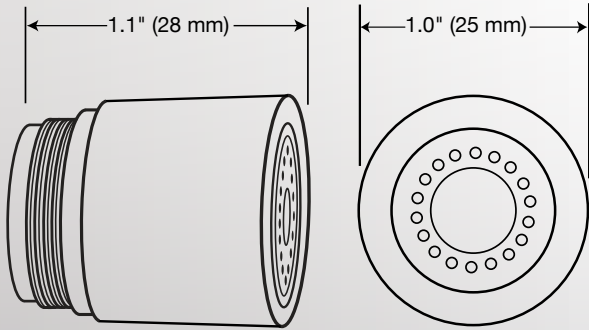


For more information please visit: www.NiagaraConservation.com

Lead-Free Kitchen/Bath Aerators

N3601, N3602

SPECIFICATIONS

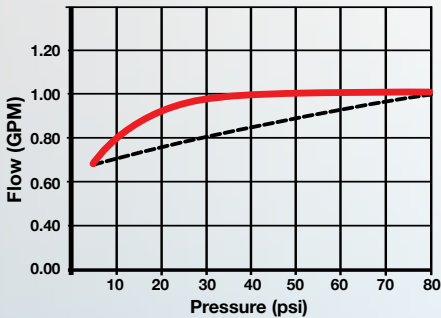


*Dimensions are subject to change

Overall Dimensions	Diameter 1" Length 1.1"
Materials	Body: Chrome plated ABS plastic
Threads	Dual-thread system accommodating both male and female applications, with 15/16" x 27 threads inside and 55/64" x 27 threads outside
Certifications	Meets or exceeds: ASME A112.18.1/CSA B125.1: ASTM B68 WaterSense labeled - Max. Flow Rate: 1.5 GPM

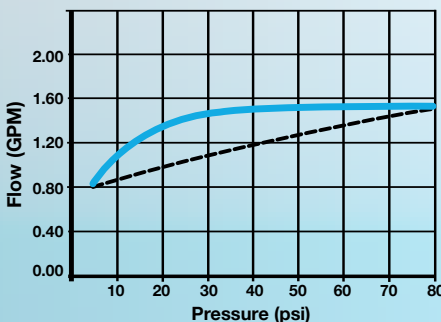
Consistent Flow Rate Across Wide Range of Pressure

1.0 GPM Flow Rate



— 1.0 Pressure Compensated Spray
- - - Non-Pressure Compensated Spray

1.5 GPM Flow Rate



— 1.5 Pressure Compensated Spray
- - - Non-Pressure Compensated Spray



**WARRANTY FOR AERATORS PURCHASED AT RETAIL:

Limited Lifetime Warranty for aerators purchased at retail for as long as the original purchaser owns the product. Niagara will replace any part that, in our opinion has proved defective, provided it has not been abused, misused, altered or damaged after its purchase.

For complete product warranty details, call Niagara Conservation at 1-800-831-8383.

WARRANTY FOR AERATORS OBTAINED THROUGH WHOLESALE, MUNICIPALITIES, UTILITIES OR OTHER COMMERCIAL CHANNELS:

10-year Limited Warranty to the purchaser from the date of purchase. Niagara will replace any part that, in our opinion has proved defective, provided it has not been abused, misused, altered or damaged after its purchase.

For complete product warranty details, call Niagara Conservation at 1-800-831-8383.

Corporate HQ

4200 Diplomacy Road
Fort Worth, TX 76155 USA
Toll Free: 800.831.8383
Phone: 817.391.0800 Fax: 817.391.0801
Email: info@nccgreen.com

© 2013 Niagara Conservation MSS3601-3602-04



For more information please visit: www.NiagaraConservation.com

Lead-Free Kitchen/Bath Aerators

N3601, N3602

PACKAGING

Retail Packaging: Blistercard Display Packaging



Inner Pack



RETAIL PACKAGING

Item No	RN3601N, RN3601B, RN3602N, RN3602B
UPC Code	RN3601N: 732291000154 1.0 GPM Needle RN3601B: 732291000147 1.0 GPM Bubble RN3602N: 732291000178 1.5 GPM Needle RN3602B: 732291000161 1.5 GPM Bubble
Type of Packaging	Blistercard Display Packaging
Pack Quantities	6 Per Inner Pack, 24 Per Master Carton
Dimensions Ea. Pkg.	Width 2.65" Height 6.0" Depth 1.125"
Dimensions Inner Pack	Width 4.25" Height 3.0" Depth 6.375"
Weight of Inner Pack	0.4 lbs
I205	RN3601N: 10732291000151 1.0 GPM Needle RN3601B: 10732291000144 1.0 GPM Bubble RN3602N: 10732291000175 1.5 GPM Needle RN3602B: 10732291000168 1.5 GPM Bubble
Dimensions of Master	Width 12.5" Height 5.0" Depth 6.875"
Weight of Master	2.2 lbs

Bulk Packaging: Plastic Bag



BULK PACKAGING

Item No	N3601N, N3601B, N3602N N3602B
UPC Code	N3601N: 732291000154 1.0 GPM Needle N3601B: 732291000147 1.0 GPM Bubble N3602N: 732291000178 1.5 GPM Needle N3602B: 732291000161 1.5 GPM Bubble
Type of Packaging	Kraft Corrugated
Pack Quantities	240 Per Carton
Dimensions of Master	Width 11.75" Height 11.5" Depth 11.75"
Weight of Master	9.38 lbs

Corporate HQ

4200 Diplomacy Road
Fort Worth, TX 76155 USA
Toll Free: 800.831.8383
Phone: 817.391.0800 Fax: 817.391.0801
Email: info@nccgreen.com

© 2013 Niagara Conservation MSS3601-3602-04



For more information please visit: www.NiagaraConservation.com