

# Stealth<sup>®</sup> Bottom Outlet Toilet

N7714, N7716, N7717, 77000WHA1, 77001RWA1

## FEATURES AND BENEFITS

The Revolutionary Toilet that Saves More Water than any Other on the Market



## Stealth Toilet

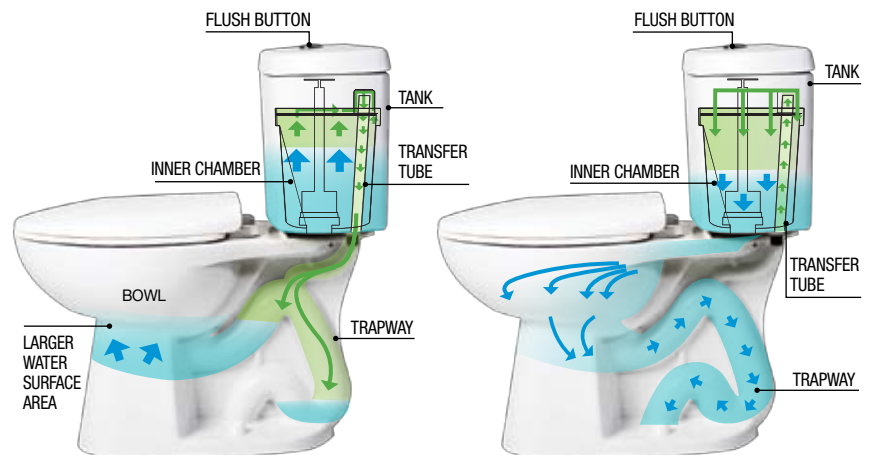
### Quietest Flushing Toilet on the Market

- Powerful flush delivered with a patented Stealth flush chamber and air transfer system
- Uses just 0.8 gallons per flush (0.8 GPF)
- Fluidmaster 400A fill valve standard
- One flush thoroughly evacuates the bowl every time
- Two piece toilet
- Bowl cleared every time due to smooth, low friction ceramic surface
- Stylish, inconspicuous and durable flush button
- Meets EPA criteria for WaterSense label
- Elongated bowl meets ADA height requirements
- Fully glazed 2" trapway for enhanced flush performance
- Limited Lifetime Warranty\*

Stealth Vacuum-Assist Power Chamber Inside



### STEALTH FLUSH TECHNOLOGY



#### FILLING

1. Water fills the tank and inner chamber, forcing air to the top of the chamber and down the transfer tube.
2. Air is forced through the transfer tube into the trapway exerting positive pressure on the water in the bowl. This pressurizes the trapway and creates a larger water surface area in the bowl.

■ AIR  
■ WATER

#### FLUSHING

1. Flush button is depressed.
2. Inside the inner chamber, the vacating flush water creates a vacuum that depressurizes the trapway.
3. This depressurization creates the suction force that pulls the wastewater into the trapway initiating the siphonic flush action.
4. Water empties from the tank cleansing the bowl and flushing waste down the trapway.
5. The trapway is completely filled producing an ultra highly efficient flush.

#### Corporate HQ

4200 Diplomacy Road  
Fort Worth, TX 76155 USA  
Toll Free: 800.831.8383  
Phone: 817.391.0800 Fax: 817.391.0801  
Email: info@nccgreen.com

© 2013 Niagara Conservation MSS7714-05



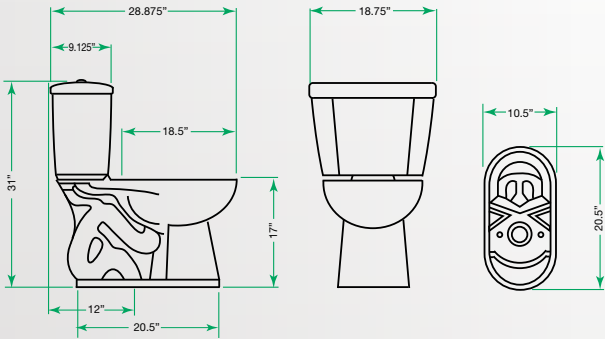
For more information please visit: [www.NiagaraConservation.com](http://www.NiagaraConservation.com)

# Stealth® Bottom Outlet Toilet

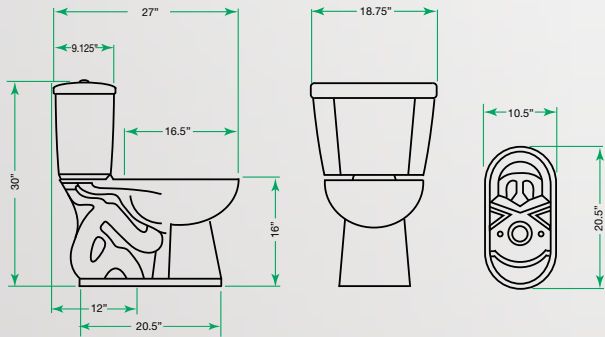
## SPECIFICATIONS

N7714, N7716, N7717, 77000WHA1, 77001RWA11

### N7717/N7714 Elongated Bowl Specs



### N7716/N7714 Round Bowl Specs

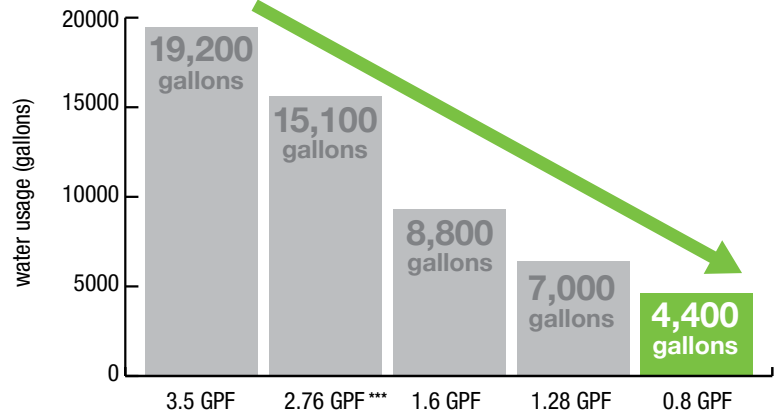


\*Dimensions are subject to change

<b>Overall Dimensions</b>	Elongated: 17" high bowl Round: 16" high bowl
<b>Footprint</b>	20.5" x 10.25", Water Area 8" x 6"
<b>Assembled Dimensions</b>	Elongated: Width 18.75" Height 31" Depth 28.875" Round: Width 18.75" Height 30" Depth 27"
<b>Rough In</b>	12"
<b>Materials</b>	Vitreous China – White Finish Polished chrome top-mount flush actuator
<b>Certifications</b>	Meets or exceeds the following: ASME A112.19.2 /CSA B45.1, WaterSense labeled



### Saves Over 70% More Water Than Less Efficient Toilets\*\*



\*\*Annual water savings for Stealth based on a comparison to a 3.5 GPF toilet, 3-person household, 5 flushes per person/per day.

\*\*\* 2.76 GPF represents the average flush volume of a toilet in the United States

\*LIMITED LIFETIME WARRANTY on vitreous china products. Toilet tank trim: fill valve and flush valve assembly and plumbing fittings are warrantied for a period of ten years to the purchaser from the date of purchase. For complete warranty details, call Niagara Conservation at 1-800-831-8383.

#### Corporate HQ

4200 Diplomacy Road  
Fort Worth, TX 76155 USA  
Toll Free: 800.831.8383  
Phone: 817.391.0800 Fax: 817.391.0801  
Email: info@nccgreen.com

© 2013 Niagara Conservation MSS7714-05



For more information please visit: [www.NiagaraConservation.com](http://www.NiagaraConservation.com)

# Stealth® Bottom Outlet Toilet

## PACKAGING

N7714, N7716, N7717, 77000WHA1, 77001RWHA1

### 77000WHA1 Single Flush Elongated (All in One)



#### RETAIL PACKAGING

<b>Item No</b>	77000WHA1
<b>UPC Code</b>	732291770002
<b>Type of Packaging</b>	High Quality White Corrugate with Litho Label
<b>Dimensions</b>	Width 16.0" Height 28.5" Depth 31.0"
<b>Weight (Pkg.)</b>	103 lbs
<b>I2of5 Master</b>	00732291770002

### 77001RWHA1 Single Flush Round (All in One)



#### RETAIL PACKAGING

<b>Item No</b>	77001RWHA1
<b>UPC Code</b>	732291000420
<b>Type of Packaging</b>	High Quality White Corrugate with Litho Label
<b>Dimensions</b>	Width 16.0" Height 28.5" Depth 31.0"
<b>Weight (Pkg.)</b>	100 lbs
<b>I2of5 Master</b>	00732291000420

### N7716 Bowl (Round)



#### BULK PACKAGING

<b>Item No</b>	N7716
<b>UPC Code</b>	732291771641
<b>Type of Packaging</b>	Kraft Corrugated
<b>Dimensions</b>	Width 16.75" Height 18.75" Depth 30"
<b>Weight (Pkg.)</b>	40 lbs

### N7717 Bowl (Elongated)



#### BULK PACKAGING

<b>Item No</b>	N7717
<b>UPC Code</b>	7322917717332
<b>Type of Packaging</b>	Kraft Corrugated
<b>Dimensions</b>	Width 16.75" Height 18.75" Depth 30"
<b>Weight (Pkg.)</b>	40 lbs

### N7714 Tank (fits N7716 Round and N7717 Elongated)



#### BULK PACKAGING

<b>Item No</b>	N7714
<b>UPC Code</b>	732291771429
<b>Type of Packaging</b>	Kraft Corrugated
<b>Dimensions</b>	Width 9.5" Height 16" Depth 19"
<b>Weight (Pkg.)</b>	37 lbs

#### Corporate HQ

4200 Diplomacy Road  
Fort Worth, TX 76155 USA  
Toll Free: 800.831.8383  
Phone: 817.391.0800 Fax: 817.391.0801  
Email: info@nccgreen.com

© 2013 Niagara Conservation MSS7714-05



For more information please visit: [www.NiagaraConservation.com](http://www.NiagaraConservation.com)